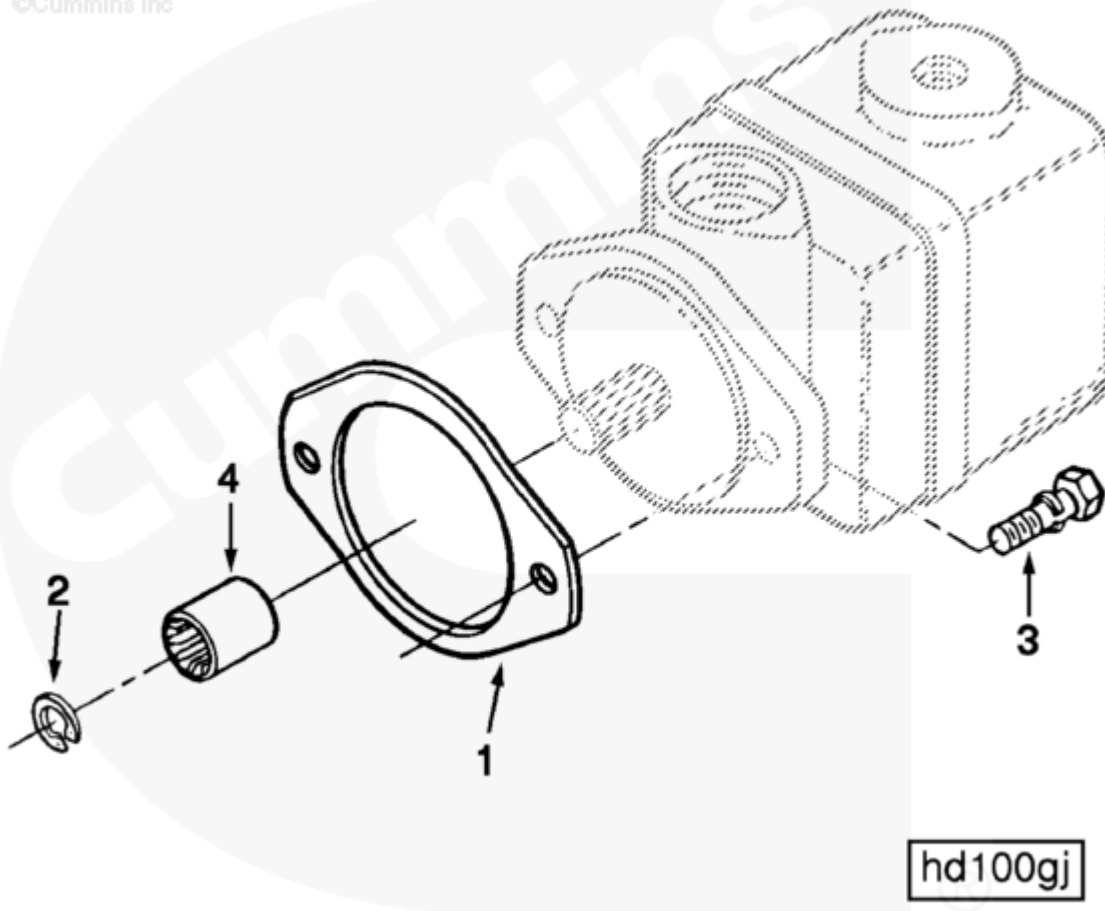




## Parts Catalog - Option Detail

Electronic Parts Catalog - Option Detail				
Option	Group	Graphic	Film Card	Date
HD1032	12.04	hd100gj	F	15-SEP-94
<b>Engines</b>	NH/NT 855, NT495, NT743, NTA855 N106			

©Cummins Inc



[SMALL](#) | [MEDIUM](#) | [LARGE](#)

Cart	Ref No	Part Number	Part Description	Required	Remarks
<input type="button" value="View My Cart"/>					
		<a href="#">HD1032</a>	Hydraulic Pump		<a href="#">Mounting parts for customer...(More)</a>
					supplied hydraulic pump.
<input type="checkbox"/>	1	<a href="#">154916</a>	Hydraulic Pump Gasket	1	
	2	<a href="#">217082</a>	Retaining Ring	1	

<input type="checkbox"/>	3	<a href="#">3010596</a>	Captive Washer Cap Screw	2	3/8 - 16 x 1 1/4 in.
<input type="checkbox"/>	4	<a href="#">3023506</a>	Spline Coupling Sleeve	1	

© 2019 Cummins Inc., Box 3005, Columbus, IN 47202-3005 U.S.A.  
Terms of Use and Disclaimers | Recommended System Requirements  
Need Assistance? Please click on the Contact Us button in the top right corner of any page.